

Thermal Gas Systems inc.

11285 Elkins Road Bldg. H-1 • P.O. Box 803 • Roswell, GA 30076

Haloguard® and Haloguard IR® Monitors

TEL (770) 667-3865

FAX (770) 667-3857

To: _____

Date: _____

AT: _____

FAX: _____

From: _____

Subject: Haloguard II Model _____ S/N _____

Message: Please provide the following information so that we may determine the solution to your problem.

1- Describe the problem: _____

2- Refer to **Figure 5**. Observe the LCD. Provide information from each screen as it scrolls.

3- Advise status of all the LEDs on the faceplate: _____

4- Remove the faceplate; Using **Figure 2** as a guide, circle which positions have jumpers installed JP-1 thru JP-9.

JP-1	JP-2	JP-3	JP-4	JP-5	JP-6	JP-7	JP-8	JP-9
ON	ON	ON	ON	ON	ON	ON	ON	ON
OFF	OFF	OFF	OFF	OFF	OFF	OFF	OFF	OFF

5-Using **Figure 2** as a guide put jumper on JP5, record information displayed for each screen

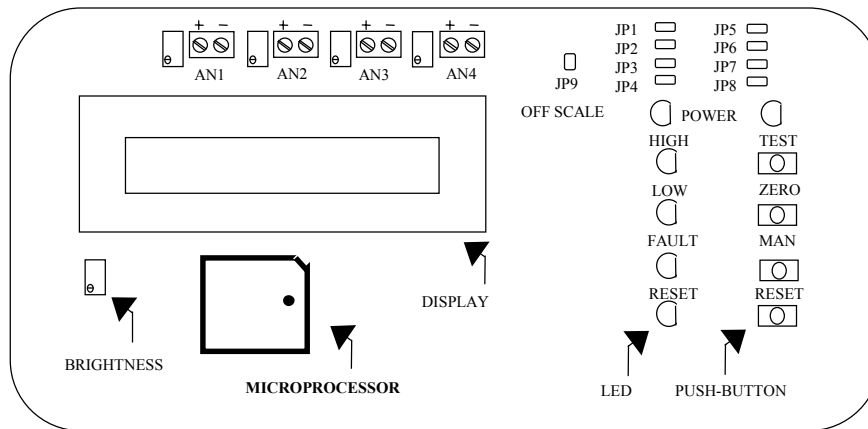


Figure 2 - Haloguard II Controller Upper Circuit Board

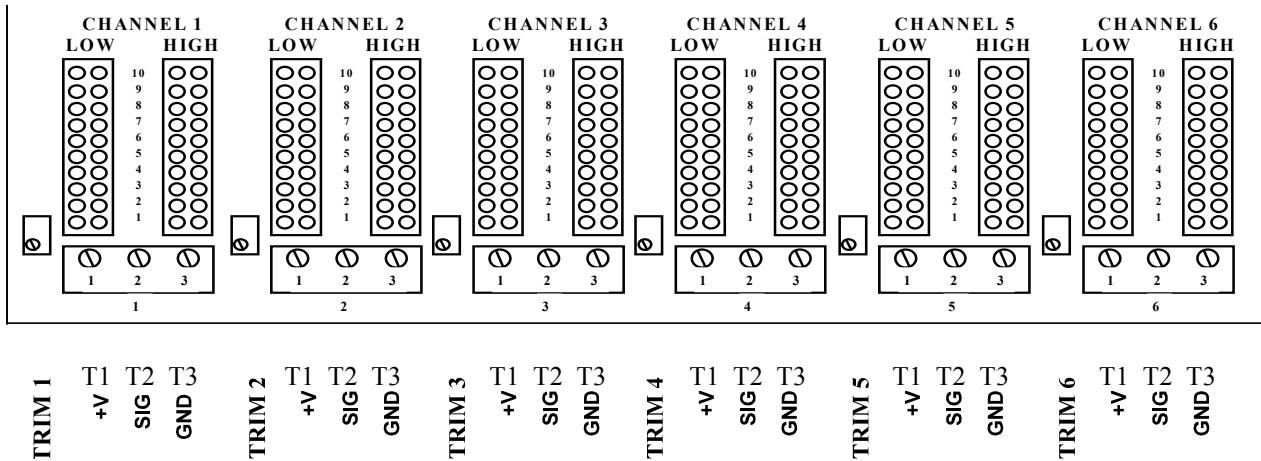


Figure 3 - Lower Circuit Board

6- Using **Figure 3** as a guide, measure voltage between +V and GND, also between SIG and GND. at terminals T1 thru T3. Record values to the nearest millivolt (0.001Vdc) for each sensor. Record alarm jumper settings.

CHANNEL	1	2	3	4	5	6
+V & GND						
SIG & GND						
Low Alarm						
High Alarm						

7- Remove the Junction Box cover. Using **Figure 4** as a guide advise wire terminations.

OFF SCALE	1	○	NC
	2	○	COM
	3	○	NO
	4	○	NC
HI ALARM	5	○	COM
	6	○	NO
	7	○	NC
LO ALARM	8	○	COM
	9	○	NO
	10	○	NC
FAULT	11	○	COM
	12	○	NO

Figure 4 - Junction Box Relay

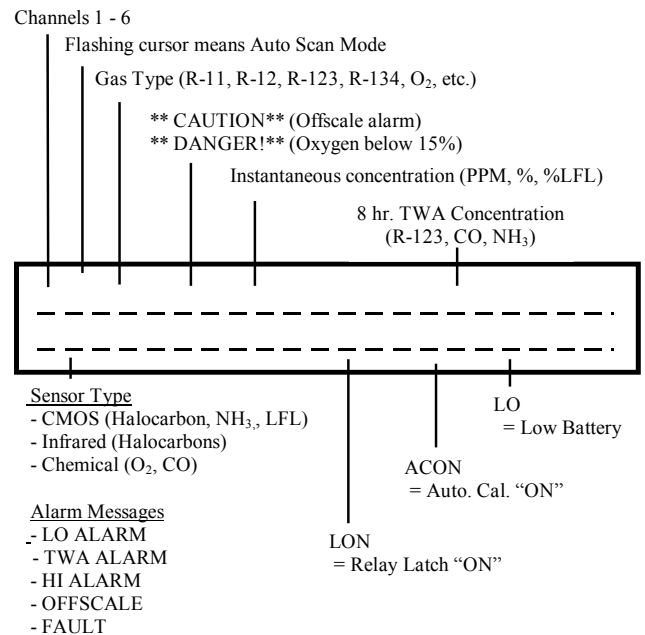


Figure 5 - LCD Display Features

The complete instruction manual may be helpful. If a copy is required, please let me know.